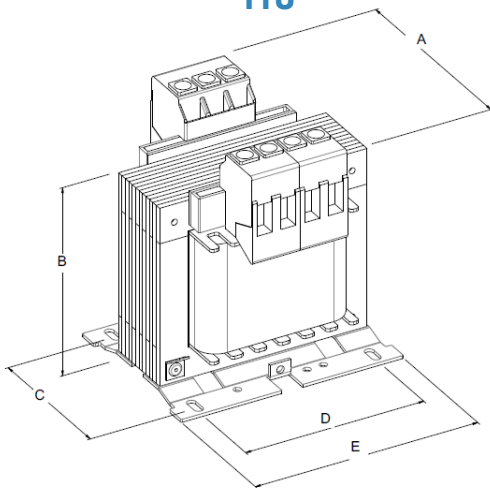




T1U



General data

Rated input voltage 208-230-380-400-415-440-460-480-500-525-550 V

Rated output voltage 2x115 V or 2x12 V

Rated power from 150 to 1000 VA

Insulation class class F

Temperature class class F

Ambient temperature Ta=40°C

Protection degree IP 00

Test voltage 4,2 KV/1'

Terminals terminal blocks

Applications

Suitable for any industrial application, where **different input voltages are required.**
Construction in accordance with the below standards:

Standards

CEI-EN 61558,2-4 and 2-6 – isolating and safety transformers

IEC 61558,2-4 and 2-6

Technical data T1U

CODE	RATED POWER	DIMENSIONS (mm)					WEIGHT
	VA	A	B	C	D	E	Kg
T1U-150...	150	96	92	105	68,5	84	2,6
T1U-250...	250	121	95	125	68,5	90	3,6
T1U-400...	400	121	115	125	68,5	90	5,7
T1U-500...	500	121	135	125	96	90	7
T1U-630...	630	151	117	140	96	120	7,4
T1U-800...	800	151	137	140	96	120	9,8
T1U-1000...	1000	151	157	140	96	120	12,1