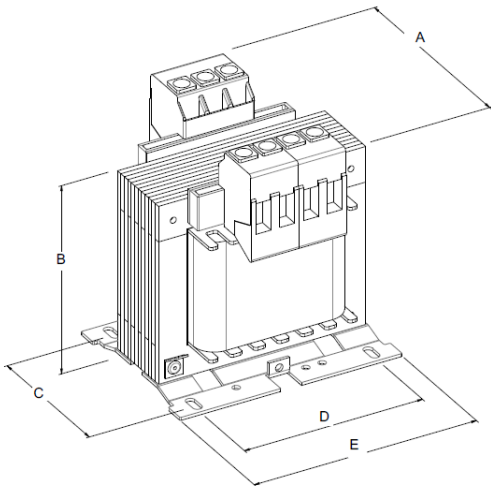


T1B



General data

INPUT-OUTPUT IN TWO SIDES

Rated input voltage	230-400 V or others upon request
Rated output voltage	24 V/115 V or others upon request
Rated power	30-2000 VA
Insulation class	class F
Temperature class	class F
Ambient temperature	T _a =40°C
Protection degree	IP 00
Test voltage	4,2 KV/1'
Terminals	terminal blocks

Applications

Single-phase control, isolating and safety transformers designed combining **reliable performance and cost-effectiveness**. They are completely impregnated with resin and have faston or screw earth connection, 4 sqmm terminal blocks, input and output in two sides. Construction in accordance with the below standards:

Standards

- CEI-EN 61 558,2-4 – isolating transformers
- CEI-EN 61 558,2-6 – safety transformers
- IEC 61 558,2-4 and 2-6

Technical data T1B

CODE	RATED POWER VA	DIMENSIONS (mm)					WEIGHT Kg	LOSSES (W)		EFFICIENCY %	U _{cc} %	ΔV %	INRUSH CURRENT x I _n
		A	B	C	D	E		no-load	load				
T1B-30...	30	67	77	79	50	56	1	2	3,7	84,5	10,5	10,5	28
T1B-50...	50	76	72	89	56	45	1,1	2,5	8	83,2	13,4	13,7	27
T1B-75...	75	76	88	89	56	60	1,3	3	10,5	85	11,7	11,9	26
T1B-100...	100	85	89	98	64	60	1,8	4	11	87,1	9,8	10	25
T1B-150...	150	96	88	108	84	66	2,3	5	17	87,6	9,8	9,9	26
T1B-200...	200	108	88	115	84	88	3,1	6	21	88,4	9,4	9,5	21
T1B-250...	250	108	98	115	84	98	3,7	8	22	89,4	8,1	8,2	24
T1B-300...	300	121	95	123	90	70	4,1	7	27,5	89,8	8,3	8,4	21
T1B-400...	400	121	110	123	90	85	4,9	9,5	34,5	90,2	7,9	7,9	22
T1B-500...	500	121	125	123	90	100	6,2	11	34	91,7	6,4	6,4	23

Electrical data